

HOW TO ORDER:

EXAMPLE: 230 - 020 10 - 6 D X

BASIC SERIES _____

SHELL SIZE _____

CONTACT ARRANGEMENT PER MIL-STD-1669 $\triangle 5$ _____

CONTACT STYLE _____
 "D" = PIN, CRIMP REAR, REMOVABLE

ALTERNATE INSERT POSITION (LEAVE BLANK FOR NORMAL) $\triangle 5$ _____

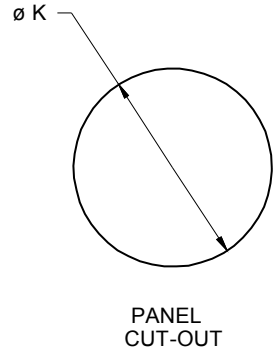
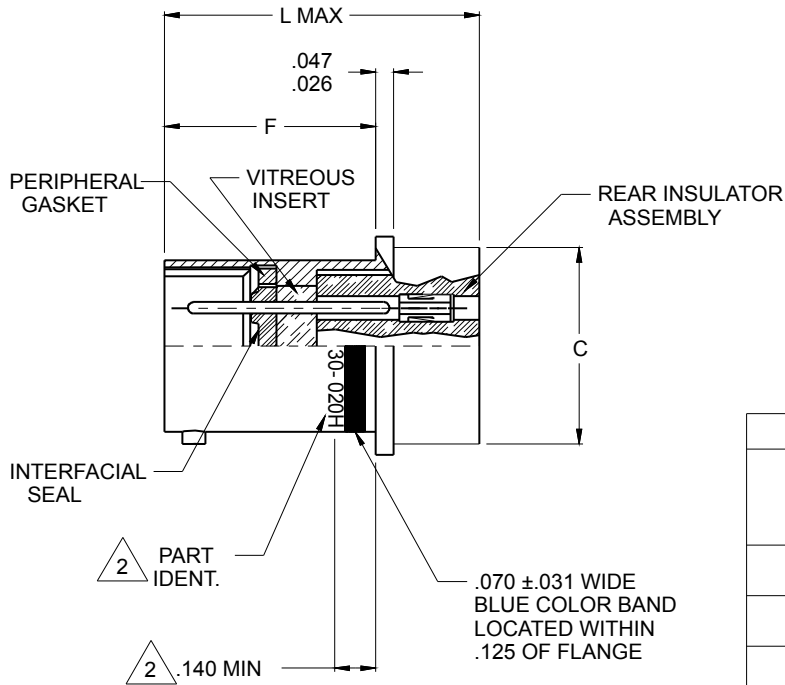
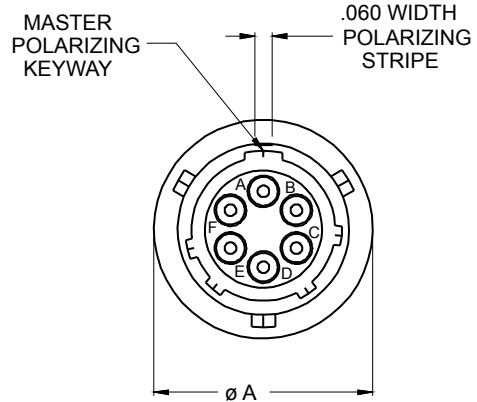


TABLE I: LAYOUTS

| SHELL SIZE | AVAILABLE CONTACT ARRANGEMENTS |
|------------|--------------------------------|
| 8 | -2, -3, -4, -33, -98 |
| 10 | -6, -98 |
| 12 | -3, -8, -10 |
| 14 | -5, -12, -15, -18, -19 |
| 16 | -8, -23, -99 |
| 18 | -11, -30, -32 |
| 20 | -16, -24, -27, -39, -41 |
| 22 | -21, -32, -34, -41, -55 |
| 24 | -31, -61 |

230-020
Hermetic Receptacle, Solder Mount, Crimp Contacts
MIL-C-26482 Series II, MS3473 Type



MIL-C-26482

TABLE II: CONNECTOR DIMNESIONS

| SHELL SIZE | A \varnothing ± 0.010 (0.3) | C \varnothing | F | K | L MAX | MAX. WEIGHT (LBS) |
|------------|--------------------------------------|-------------------------|-----------------------|--------------|--------------|-------------------------|
| 8 | .625 (15.9) | .563/.557 (14.3/14.1) | .735/.711 (18.7/18.1) | .570 (14.5) | 1.078 (27.4) | TBD |
| 10 | .750 (19.1) | .673/.667 (17.1/16.9) | .735/.711 (18.7/18.1) | .680 (17.3) | 1.078 (27.4) | TBD |
| 12 | .844 (21.4) | .782/.776 (19.9/19.7) | .735/.711 (18.7/18.1) | .789 (20.0) | 1.078 (27.4) | TBD |
| 14 | .969 (24.6) | .907/.901 (23.0/22.9) | .735/.711 (18.7/18.1) | .914 (23.2) | 1.078 (27.4) | TBD |
| 16 | 1.094 (27.8) | 1.032/1.026 (26.2/26.1) | .735/.711 (18.7/18.1) | 1.039 (26.4) | 1.078 (27.4) | TBD |
| 18 | 1.218 (30.9) | 1.157/1.151 (29.4/29.2) | .735/.711 (18.7/18.1) | 1.164 (29.6) | 1.078 (27.4) | TBD |
| 20 | 1.312 (33.3) | 1.251/1.245 (31.8/31.6) | .823/.799 (20.9/20.3) | 1.258 (32.0) | 1.140 (29.0) | TBD |
| 22 | 1.438 (36.5) | 1.376/1.371 (35.0/34.8) | .823/.799 (20.9/20.3) | 1.383 (35.1) | 1.140 (29.0) | TBD |
| 24 | 1.564 (39.7) | 1.501/1.495 (38.1/38.0) | .823/.799 (20.9/20.3) | 1.508 (38.3) | 1.140 (29.0) | TBD |

NOTES:

1. MATERIAL/FINISH:

SHELL - C1215 CRS / TIN PLATED
 CONTACTS - 52 NICKEL ALLOY / TIN PLATED
 BAYONETS: STAINLESS STEEL / PASSIVATED
 SEALS: SILICONE ELASTOMER
 INSULATION: GLASS, NOIBN
 REAR INSULATOR: RIGID DIELECTRIC

2 ASSEMBLY TO BE IDENTIFIED WITH GLENAIR'S NAME, PART NUMBER AND DATE CODE SPACE PERMITTING.

3. PERFORMANCE:

HERMETICITY: $<1 \times 10^{-7}$ SCCHE/SEC @ 1 ATMOSPHERE DIFFERENTIAL
 DIELECTRIC WITHSTANDING VOLTAGE: CONSULT FACTORY OR MIL-STD-1669
 INSULATION RESISTANCE: 5000 MEGOHMS MIN @ 500VDC

4. GLENAIR 230-020 WILL MATE WITH ANY QPL MIL-C-26482 SERIES 2 BAYONET COUPLING PLUG OF SAME SIZE AND INSERT POLARIZATION.

5 SEE TABLE I ON SHEET 2 FOR AVAILABLE ARRANGEMENT OPTIONS.

6. CONNECTORS ARE SUPPLIED WITH APPLICABLE CRIMP CONTACTS PER MIL-C-39029/15-**-** AND MS3160-** INSERT & REMOVAL TOOL